

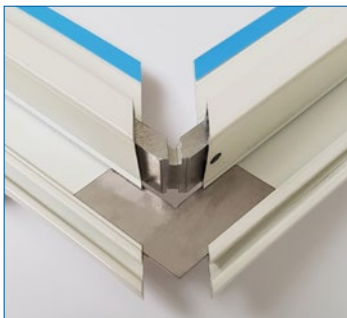
NEWS



Rapid information for our customer.

Doors and flaps for kits: New standards

As of order receipt in October, the 2021 door generation replaces the previous versions **at no extra charge**. This also applies to the roller frame and side frame.



New profiles (inside of door)

Whether as a rear door with internal locking recesses, or external espagnolette, whether as integral- or side doors, side flaps or top flaps: **the new doors and flaps are stable and lightweight and based on our new profile system.**

They are **certified with regard to load securing**. The even gap clearance results in a calm appearance. Warping at the mitre corners are excluded.



Optimized doors and flaps from October 2021

The **side door and the side frame** also use the new joining technology, which is used in a similar way in the window industry. The frame thus gains in **dimensional stability and value**. Due to the design, the side doors cannot "sag" impossible.



Form stable profiles



Now with adjustable door hinges

The **rear doors** with external espagnolettes or countersunk locking recesses **can be adjusted via the hinges if necessary**. **The new integral door completely replaces the two previous variants.**

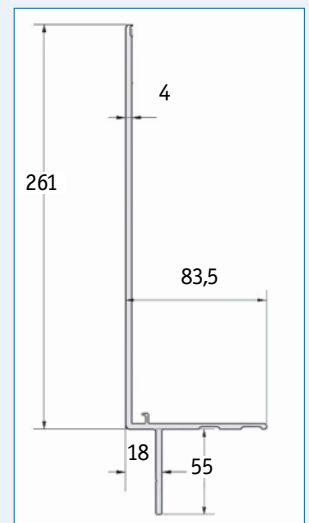
During product development, we successfully tested many prototypes with customers. **On request, you can also obtain the doors for your other projects, such as curtainsiders.**

New bottom chord from October 2021

For **swap body kits**, we will be launching **the assembly-optimized bottom chord (PA120044)** from October. The previous profile (PA120008) is no longer applicable.

The eye catches the improved appearance due to the **smooth outer surface** of the changed contour.

More importantly, you can now **mount gripping edges and safety locks without cutting out the bottom chord**. In addition, the **profile weight is reduced by 0.5 kg/m**. Please note the **new subframe width of 2,500 mm**.



AluTeam Fahrzeugtechnik GmbH
Brockhagener Straße 88, D-33649 Bielefeld
Tel. + 49 (0)521 - 41 73 11 - 0; Fax - 90
E-Mail: info@aluteam.de / www.aluteam.de

AluTeam Fahrzeugtechnik Wolfhagen GmbH
Hans-Böckler-Straße 4, D-34466 Wolfhagen
Tel. + 49 (0)56 92 - 609 - 0; Fax - 38
E-Mail: wolfhagen@aluteam.de / www.aluteam.de