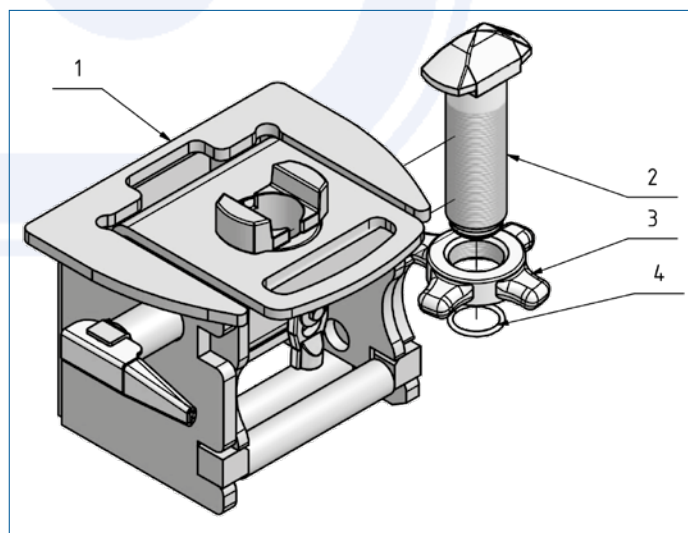
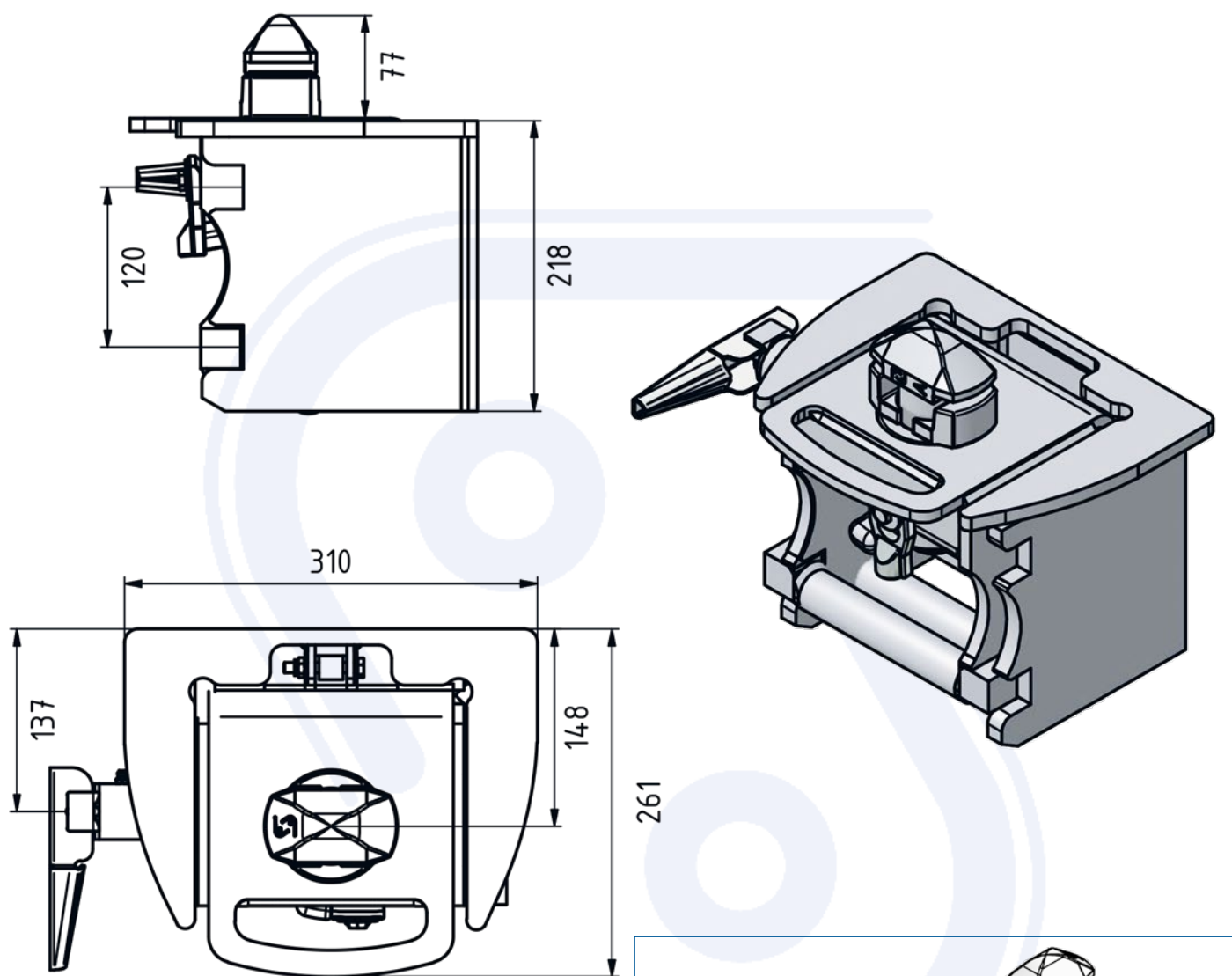


Liftlock

- > twist lock adjustable in height, **inner parts rigid**
- > for gooseneck chassis, **rear position**
- > for transport of 1 x 40'/45' or 2 x 20' containers
- > spring locking bar **left**
- > internal case hot dipped galvanized, all inner parts are galvanized and not installed
- > weight approx. 45 kg



Art.-No. 905.398.150



Pos.	Spare part	Art.-No.
1	Liftlock inner parts rigid	906.398.150
2	Locking pin	905.000.213
3	Locking nut	905.000.088
4	Security ring	905.000.187