

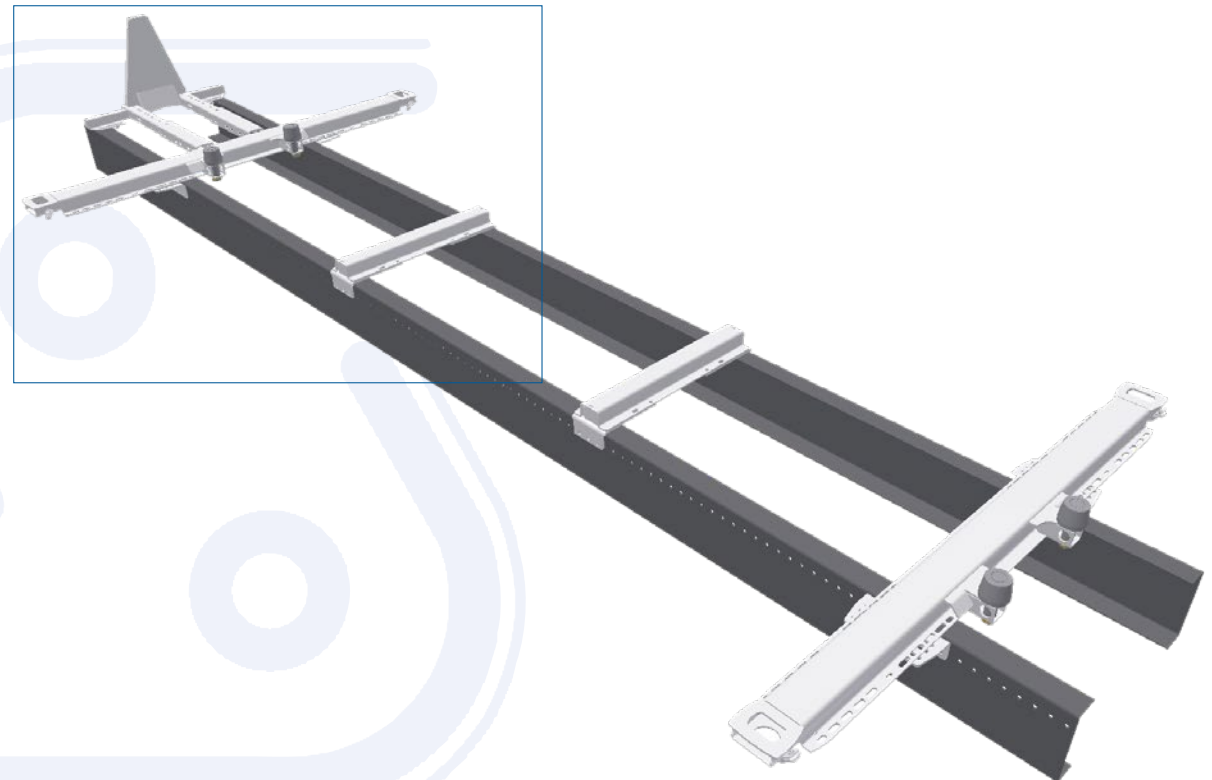
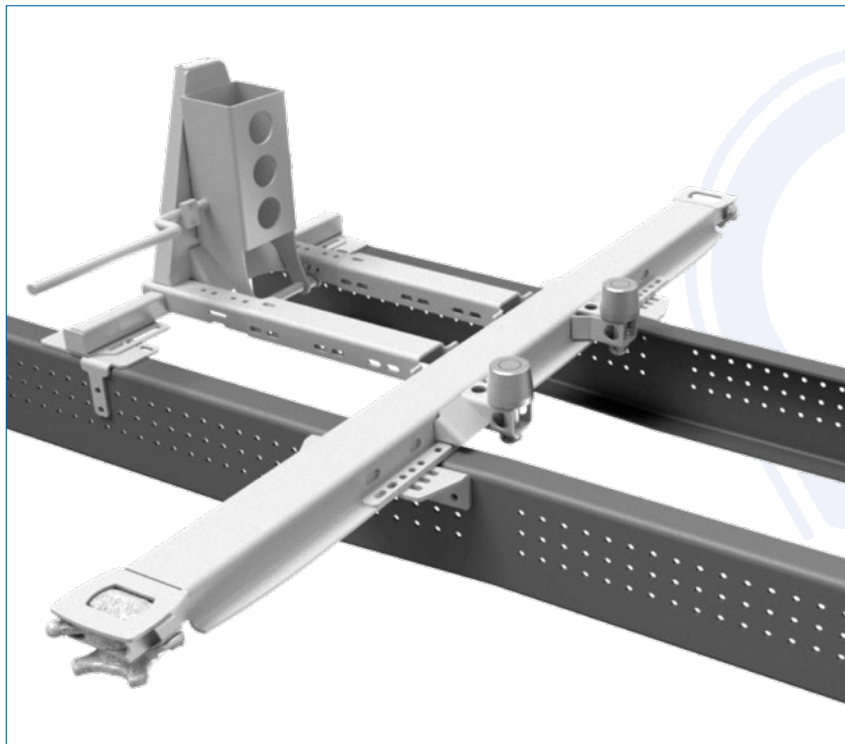
Swap system „WS Standard Einzel“ (hot-dip galvanised steel)



- > **scope of delivery:** 2 crossbars with guide roller holder, front stop fixed or collapsible, 2 clearance beams, 4 inner part kits, fastening material such as brackets, clamping plates, reinforcement plates, flange head screws and lock nuts
- > **hight adjustment:** without
- > **system height:** 80 | 120 | 160 | 200 | 240 mm
- > **parking levels:** 1,020 - 1,120 | 1,120 - 1,220 | 1,220 - 1,320 mm
(depending on chassis design and system height)
- > **swap body sizes:** C 715, C 745, C 782

possible chassis:

- > Mercedes: Actros, Antos
- > MAN TGX, MAN TGM
- > DAF XF, Scania R, Iveco S-Way
- > Volvo FH with 266 mm and 300 mm longitudinal beam
- > Renault T with 266 mm and 300 mm longitudinal beam



A more detailed description of this swap system can be found in the respective assembly instructions.