

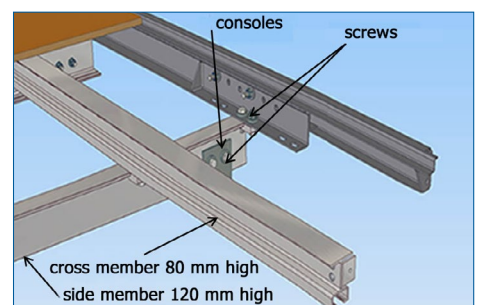
# BR 13x-2

## Aluminium Subframe



pre-assembled subframe

- > bolted
- > up to 6.5 to gw
- > weight-optimised
- > 2 long rails, cross member, brackets and fastening material
- > Length adjustments are easily possible
- > *optionally* pre-assembled



principle of construction



**AluTeam Fahrzeugtechnik GmbH**  
Brockhagener Straße 88, D-33649 Bielefeld  
Tel. + 49 (0)521 - 41 73 11 - 0; Fax - 90  
E-Mail: [info@aluteam.de](mailto:info@aluteam.de) / [www.aluteam.de](http://www.aluteam.de)

**AluTeam Fahrzeugtechnik Wolfhagen GmbH**  
Hans-Böckler-Straße 4, D-34466 Wolfhagen  
Tel. + 49 (0)56 92 - 609 - 0; Fax - 38  
E-Mail: [wolfhagen@aluteam.de](mailto:wolfhagen@aluteam.de) / [www.aluteam.de](http://www.aluteam.de)

03.21