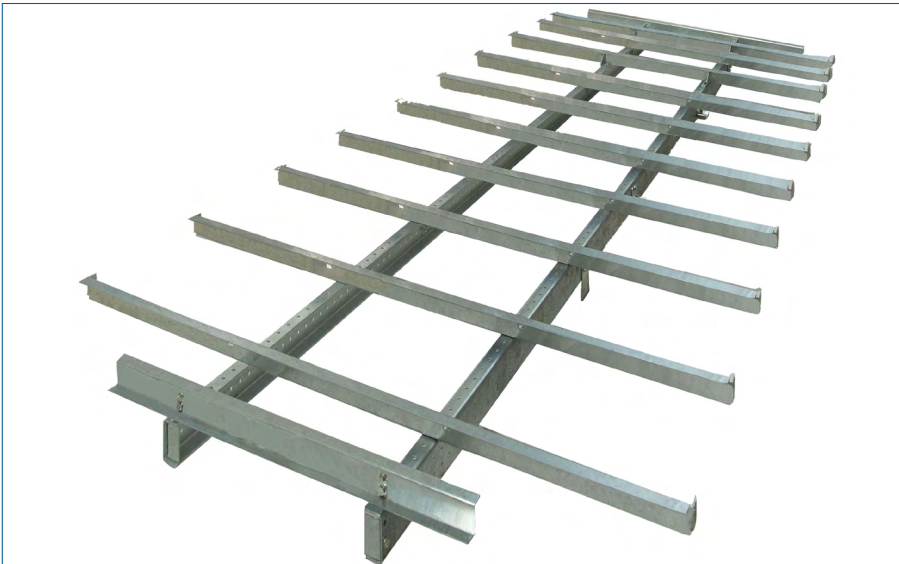


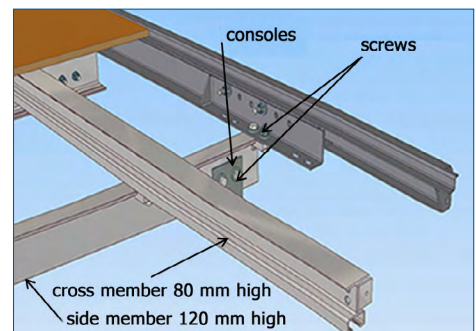
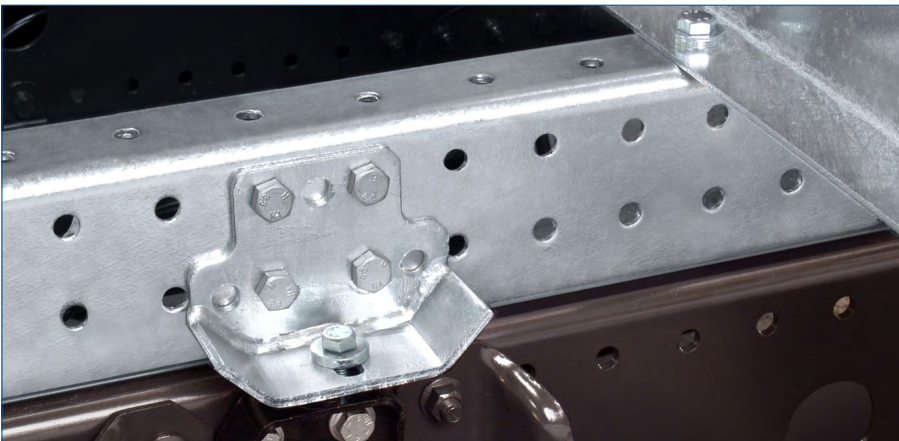
BR 14x-2

Steel-Subframe



pre-assembled subframe

- > hot-dip galvanised
- > up to 7.5 to gw
- > weight-optimised
- > 200 mm headroom
- > 2 long rails, cross members, brackets and fastening material
- > Length adjustments are easily possible
- > *optionally* pre-assembled



construction principle



AluTeam Fahrzeugtechnik GmbH
Brockhagener Straße 88, D-33649 Bielefeld
Tel. + 49 (0)521 - 41 73 11 - 0; Fax - 90
E-Mail: info@aluteam.de / www.aluteam.de

AluTeam Fahrzeugtechnik Wolfhagen GmbH
Hans-Böckler-Straße 4, D-34466 Wolfhagen
Tel. + 49 (0)56 92 - 609 - 0; Fax - 38
E-Mail: wolfhagen@aluteam.de / www.aluteam.de

06.22